

**Item # C1101AB T1100/C1100 LCD Hour Meter/Counter**



**T1100/C1100 LCD Hour Meter/Counter**

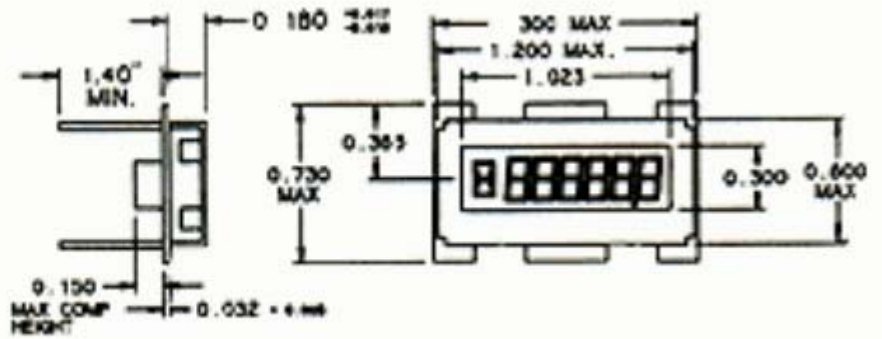
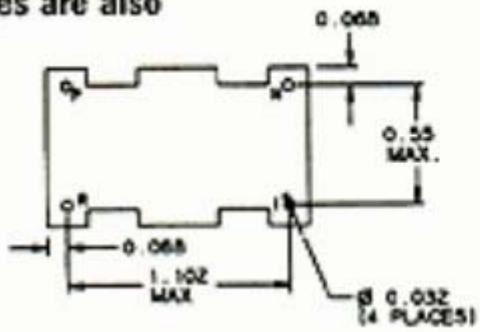
C1100 LCD Counter - Black Bezel Counter

**Specifications**

|                       |                     |
|-----------------------|---------------------|
| <b>Voltage</b>        | 8-28 V DC           |
| <b>Note</b>           | .                   |
| <b>Case</b>           | Black bezel counter |
| <b>Reset</b>          | Yes                 |
| <b>Counter Speed</b>  | 50 C.P.S.           |
| <b>Display Digits</b> | 6-Digit             |

Dimensional Drawing

28 VDC, other  
cases are also



## LCD Hour Meter-Counter-Module

### ELECTRONICS



T1101AB



T1101AS



C1101AB



C1101AS

ENM's new series T1100 Hour Meter timer features a 6-digit, 7 segment LCD display. This model is ideal for maintenance applications. The Hour Meter model displays an hour glass and decimal point. The accumulated hours are stored on powerless, non-volatile data backup using CMOS EEPROM technology, where small space and reliable instruments are required with memory that does not rely on a battery.

| PART NO. | VOLTAGE | CASE              |
|----------|---------|-------------------|
| T1101AB  | 8-28VDC | Black Hour Meter  |
| T1101AS  | 8-28VDC | Chrome Hour Meter |
| C1101AB  | 8-28VDC | Black Counter     |
| C1101AS  | 8-28VDC | Chrome Counter    |

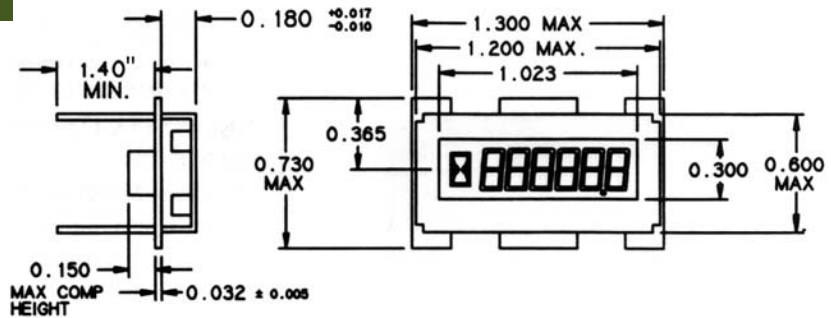
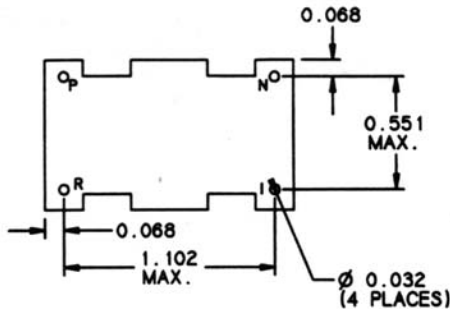
### Specifications

|                        |  |
|------------------------|--|
| Capacity:              | 99999.9 Hour meter<br>(00 to 999999) Up Counter<br>(999999 to 00) Down Counter<br>Automatic recycle to zero. |
| Display height:        | 6 digits, 5mm LCD  |
| Operating voltage:     | 8-28VDC, other AC and DC voltages are also available   |
| Count speed:           | 100 C.P.S.   |
| Operating current:     | 3mA maximum 8 to 24Vdc and 10mA @ 28Vdc  |
| Operating temperature: | Standard -40C to +85C  |
| Vibration resistance:  | Withstands 10 to 75 Hz. at 1 to 8 Gs.  |
| Shock resistance:      | SAEJ137853G  |
| Accuracy:              | Better than +/-0.01%   |
| Humidity:              | 95%RH+32C for 2 hours  |
| Protected from:        | Alternator load dump, inductive switching and reverse polarity.  |
| Memory capacity:       | Cmos Eeprom. Nonvolatile memory has data retention in excess of 10 years without power.                      |
| Bezel style:           | Chrome or Black are available.   |

### Features

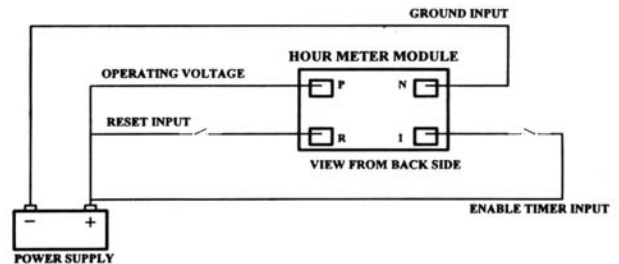
- Non-volatile memory (no battery)
- High reliability
- Low cost and small size
- Low operating current
- Wide operating voltage and temperature range
- Very high shock and vibration specs
- Non reset option available
- Solid state electronics
- Quartz crystal
- Made in the USA

### T1100 LCD HOUR METER

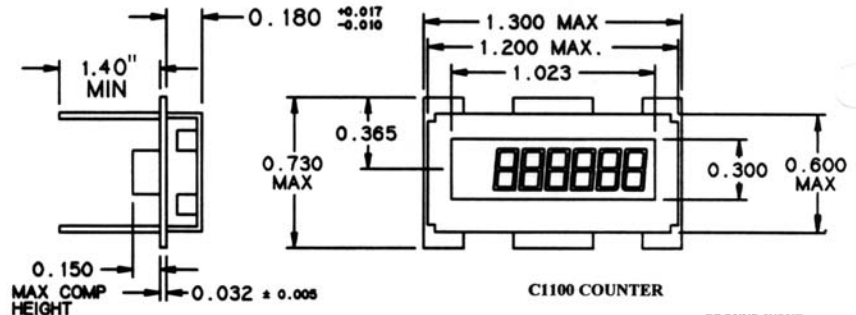
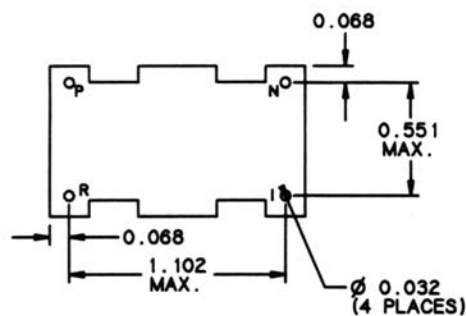


T1101AB Black Bezel Hour Meter  
T1101AS Chrome Bezel Hour Meter

T1100 TIMER

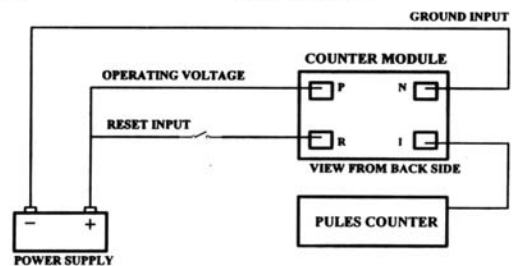


### C1100 COUNTER MODULE



C1101AB Black Bezel Counter  
C1101AS Chrome Bezel Counter

C1100 COUNTER



#### LIMITED WARRANTY

ENM Company products are warranted to the consumer to be free from defects in material and workmanship for a period of 1 year. All ENM products which fall within the warranty period due to defects in material or workmanship will be repaired or replaced, at ENM's option, without charge to the consumer when returned with proof of purchase to any authorized ENM dealer in the United States, transportation charges prepaid, provided there is no evidence of improper installation, tampering, or other abuse. All implied warranties, including any implied warranty of merchantability or fitness for a particular purpose, shall be limited in duration to the express warranty period specified above.

ENM disclaims any liability for consequential damages due to breach of any written or implied warranty on its products.